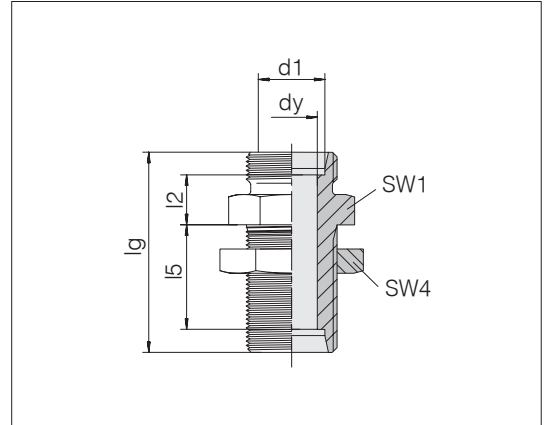


Bulkhead unions

Tube coupling: 24° in acc. with ISO 8434-1



Series	Tube OD	Pressure	dy	lg	l2	l5	SW1	SW4	kg/100 ca.	Order-No.	Designation
L	6	PN 500	4	48	7	27	17	17	3.8	0137002066	24-BHSLN-L6
L	8	PN 500	6	49	8	27	19	19	4.9	0137052066	24-BHSLN-L8
L	10	PN 500	8	52	10	28	22	22	6.6	0137102066	24-BHSLN-L10
L	12	PN 400	10	53	10	29	24	24	7.6	0137152066	24-BHSLN-L12
L	15	PN 400	12	57	12	31	27	30	12.8	0137202066	24-BHSLN-L15
L	18	PN 400	15	61	13.5	32.5	32	36	19.9	0137252066	24-BHSLN-L18
L	22	PN 250	19	66	16.5	34.5	36	41	24.8	0137302066	24-BHSLN-L22
L	28	PN 250	24	69	18.5	35.5	41	46	33.8	0137352066	24-BHSLN-L28
L	35	PN 250	30	76	18.5	36.5	50	55	53.9	0137402066	24-BHSLN-L35
L	42	PN 250	36	77	19	36	60	65	75.6	0137452066	24-BHSLN-L42
S	6	PN 800	4	55	12	29	19	19	6.5	0137502066	24-BHSLN-S6
S	8	PN 800	5	56	13	29	22	22	8.7	0137552066	24-BHSLN-S8
S	10	PN 800	7	59	14.5	29.5	24	24	11.0	0137602066	24-BHSLN-S10
S	12	PN 630	8	60	14.5	30.5	27	27	13.9	0137652066	24-BHSLN-S12
S	14	PN 630	10	65	17	32	30	30	17.8	0137702066	24-BHSLN-S14
S	16	PN 630	12	65	16.5	31.5	32	32	19.7	0137752066	24-BHSLN-S16
S	20	PN 420	16	72	17.5	33.5	41	41	34.5	0137802066	24-BHSLN-S20
S	25	PN 420	20	79	20	35	46	46	49.2	0137852066	24-BHSLN-S25
S	30	PN 420	25	86	21.5	37.5	50	50	61.7	0137902066	24-BHSLN-S30
S	38	PN 420	32	91	22	37	65	65	108.0	0137952066	24-BHSLN-S38

Bulkhead material thickness
max. 16 mm.

Example for comp. :
SV06LOMD
ISO 8434-1-BHSLN-L6-St

